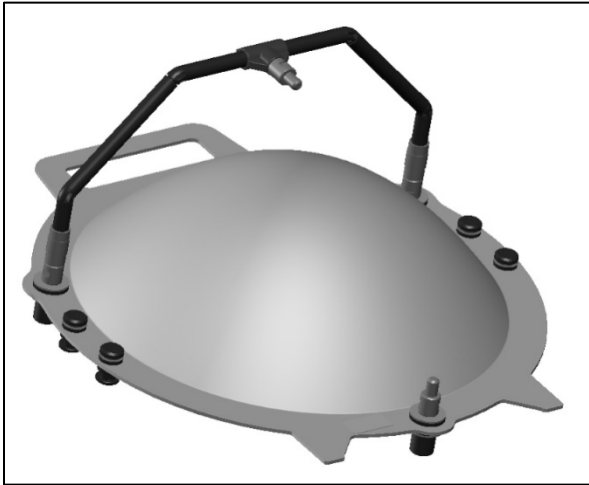
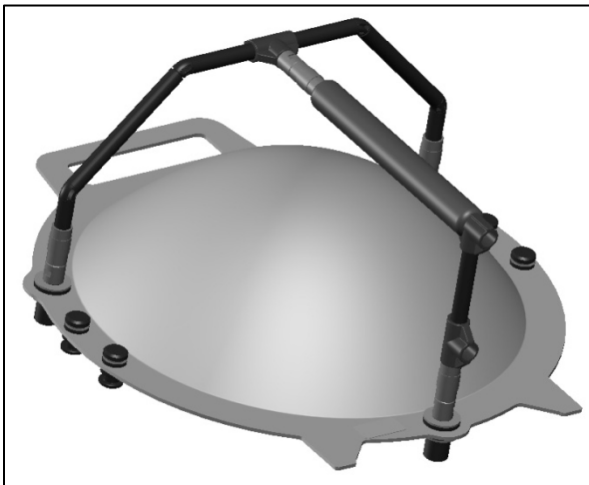


# Klover MiK 16 Assembly Sequence

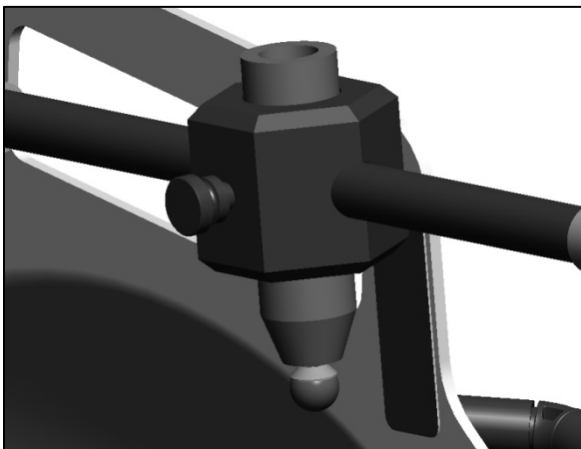
Step 1 - Install horizontal cross bar on the top two connectors with the remaining connector pointing toward the bottom of the dish



Step 2 - Install vertical handle and snap onto the horizontal cross bar



Step 3 - Focus microphone - Option #1 - Use the heavy black line printed on the label (located next to the handle) to position mic 1 1/8" behind the rear face of the mic yoke.



Use the heavy black line printed on the label (located next to the handle) to position mic 1 1/8" behind the rear face of the mic yoke.

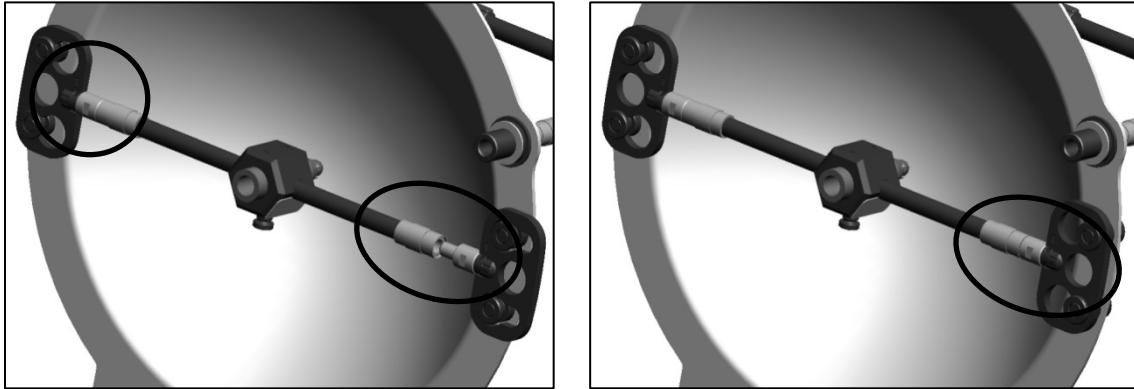
The feet at the bottom of the dish are also 1 1/8" wide and can be used to locate the microphone with respect to the mic yoke.

(Steps 4 and 5 are on the back of the sheet)

#### Step 4 - Install Mic Yoke

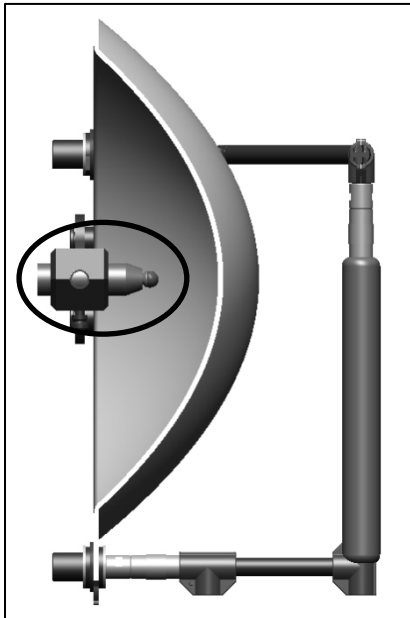
The thumb screw should be on bottom, small targeting screws on top, and arrows in both end plates pointing up. Remove second end plate from the microphone yoke, slide the first end plate onto locator pins, then place second end plate onto locator pins on opposite side of dish and snap into place.

(If the end plates have been removed you may have to switch the two end plates in order to properly align them. There are small flats on the connectors that should match. They should both be horizontal or both vertical.)



#### Step 5 - Focus microphone - Option #2 –

If you prefer, you can also position the center of the microphone pickup 1 1/2" behind the front surface of the dish using a tape measure. Be careful to avoid scratching the inside surface of the dish.



US Patent #9014402



Klover Products Inc.  
5807 W Fenrick Rd, Janesville, WI 53548  
(888) 299-9009 - support@KloverProducts.com