

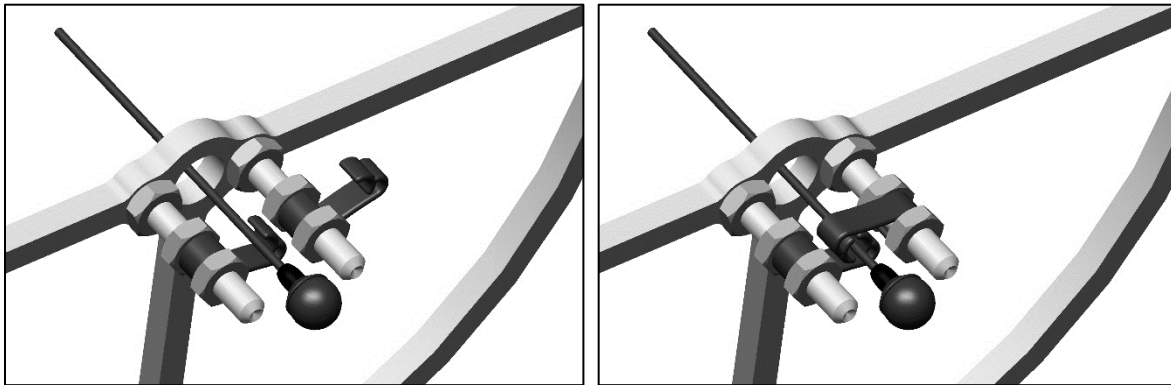
# KLOVER MiK 09

## Assembly & Care

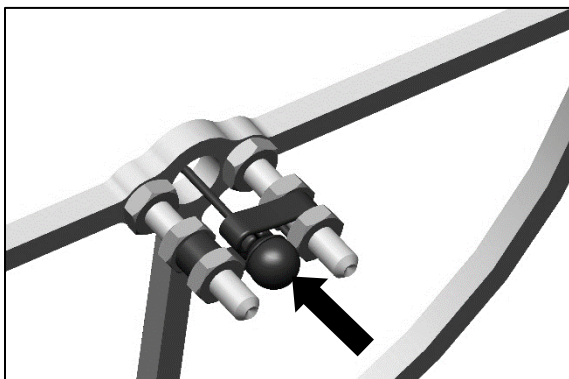
### Assembly Instructions:

Step 1 – Remove the three thumb screws and set aside the collector dish.

Step 2 - Thread an omnidirectional lavalier microphone through the center hole of the aluminum plate. Place the microphone cable on the lower support arm, then rotate the upper support arm down against the lower one, capturing the cable within the created center hole.



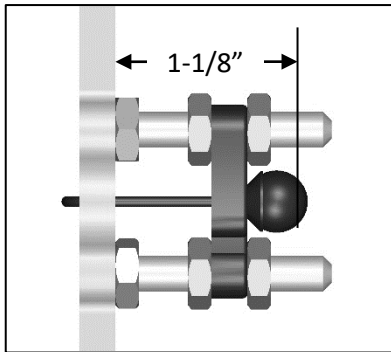
Step 3 - Push the microphone into the support arms until it is seated against the two support arms.



If you cannot push the microphone into the support arms, you can place the microphone into one support arm and then slide the second support over the microphone. Placing a smooth, thin, metal object, like a letter opener, between the microphone and the second support arm may ease this process.

(Continued on the next page.)

Step 4 – Position the microphone at the Focus point by moving the support arms until the center of the pickup pattern is 1-1/8" (1.13"), or 29mm, behind the face of the yoke plate. (You can use the square flange on the bottom of the dish, which is 1-1/8" wide, as a focusing aide.) Tighten the plastic jam nuts against the support arms to lock them in place.



Step 5 – Replace the dish on the frame over the microphone and mount with the three thumb screws. (Secure the microphone cable to the frame along an appropriate path using the supplied Velcro strips.)

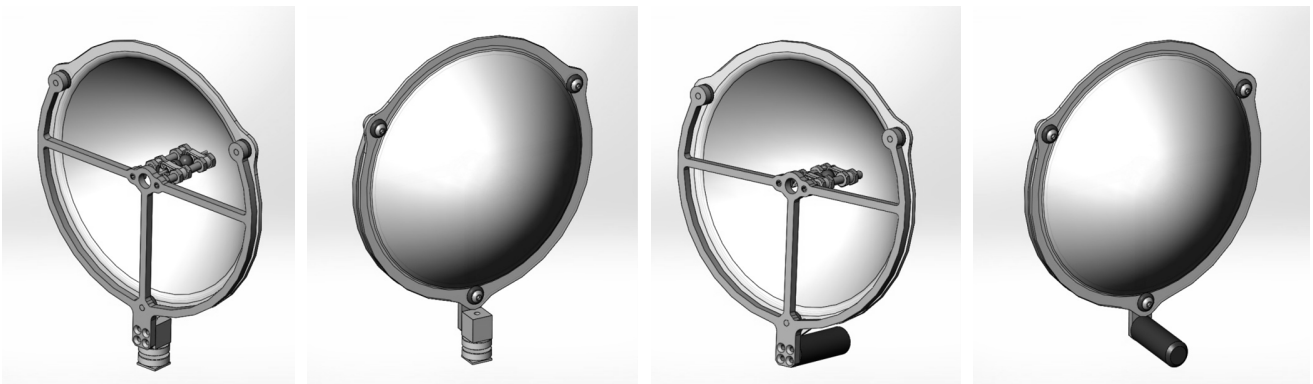


For video demonstrations of the assembly process, please visit our support page at [kloverproducts.com/support](http://kloverproducts.com/support).

#### **Shotgun adapter (OPTIONAL).**

If desired, you can replace the cold shoe adapter mount (and aluminum block) with the cylindrical plastic rod to mount the KM-09, where a shotgun microphone would typically be mounted.

To do this, remove the four flat-head screws, exchange the cylindrical rod for the aluminum block, and reinstall the four screws.



## **Cleaning Instructions:**

- ONLY use ammonia-free cleaning products, such as "Sparkle," to clean the parabolic dish.

## **Registration:**

- Please register your product using the Registration form at [klovermik.com/registration](http://klovermik.com/registration) so we can inform you of any updates or other important news.

## **Troubleshooting:**

If you are having problems getting audio from your Klover MiK 09:

- 1) Verify that your microphone is facing toward the inside of the dish and located at the focus point.
- 2) Verify that your gain is adjusted correctly and that you are recording/monitoring the proper channel(s).
- 3) Verify your microphone is receiving power.
  - a) If you purchased a kit with an XLR microphone (large 3-pin connector), ensure your camera or recording device provides phantom power. There is almost always a physical switch or setting to turn this power ON or OFF.
  - b) If you purchased a kit with a 3.5mm microphone (connector that looks similar to a headphone's), ensure your camera or recording device provides bias voltage (plug-in power). Many recorders, such as the Zoom H series, have a setting to turn this power ON or OFF.
  - c) Please check your device's manual to ensure it can provide this power. If not, please contact us directly so we can help you find the best way to proceed.

If you are still dissatisfied with the audio you capture, please email us at [help@KloverProducts.com](mailto:help@KloverProducts.com) or call us at (608) 371-5660.



US Patent #9992569

Klover Products Inc.  
5807 W Fenrick Rd  
Janesville, WI 53548  
(608) 371-5660 - (888) 299-9009

[www.KloverProducts.com](http://www.KloverProducts.com)  
[support@KloverProducts.com](mailto:support@KloverProducts.com)



**The inside surface of  
the dish is critical to  
this product's  
performance.**

**DO NOT**

**place or store  
anything inside the  
dish, or clean the dish  
with an ammonia-  
based cleaner.**